

## Adjustable clamping levers

**PUSH to disengage**

### SPECIFICATION

#### Types

- Type **M**: Straight lever
- Type **N**: Angled lever

Steel  
blackened

Tensile strength class 5.8

Ball knobs DIN 319 (see page 538)

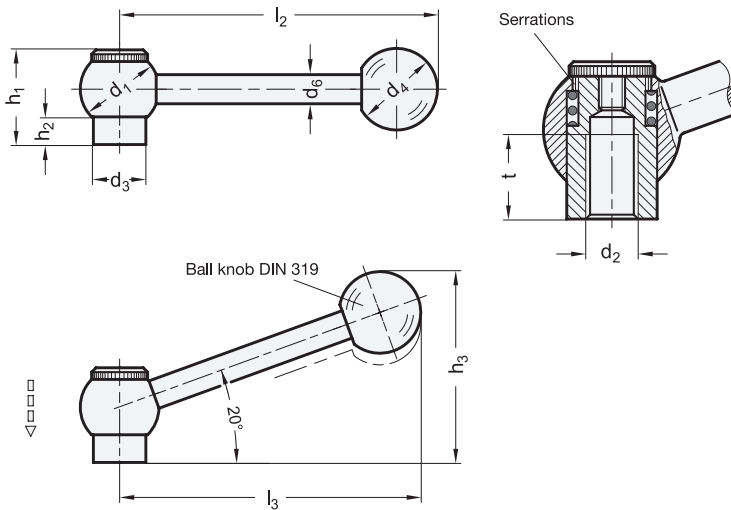
Plastic, Duroplast  
black, shiny finish

### INFORMATION

Adjustable clamping levers GN 6337.3 have proved to be ideal whenever parts have to be clamped in a confined space or a particular lever position is required. The insert is connected by the lever via serrations in the ball bore which can be disengaged.

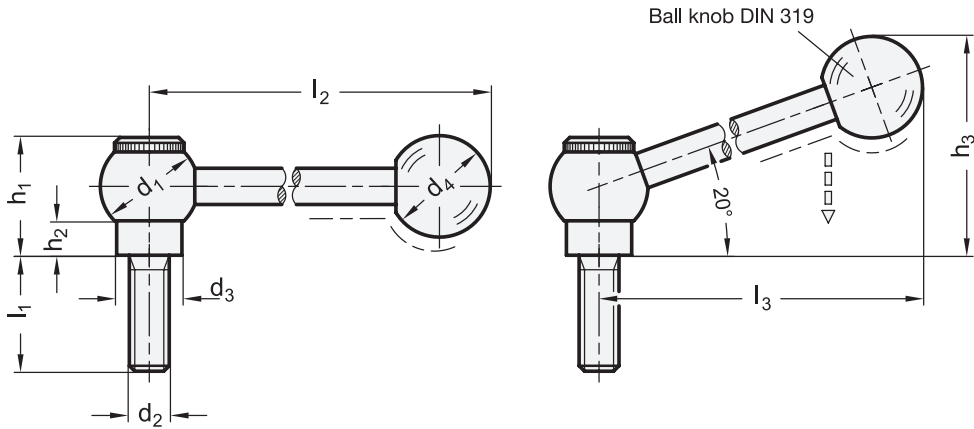
Pushing the lever down, disengages the serrations and the lever can be swivelled to the ideal clamping position. Engagement is achieved by releasing the lever.

Should a rotation of 360° not be possible, the insert can be lightly screwed in (after the lever is disengaged) via a slot in the knurled screw.



### GN 6337.3-with threaded insert

Description	d1	d2	d3	d4	d6	h1	h2	h3 ≈	l2	l3 ≈	t min.	⚖
GN 6337.3-20-M6-M	20	M 6	13.5	20	8.5	25	8	-	74	-	12	61
GN 6337.3-20-M8-M	20	M 8	13.5	20	8.5	25	8	-	74	-	12	58
GN 6337.3-25-M8-M	25	M 8	16	25	11	29	8	-	93	-	15	114
GN 6337.3-25-M10-M	25	M 10	16	25	11	29	8	-	93	-	15	111
GN 6337.3-28-M10-M	28	M 10	19	30	13	33.5	10.5	-	116	-	18	189
GN 6337.3-28-M12-M	28	M 12	19	30	13	33.5	10.5	-	116	-	18	183
GN 6337.3-20-M6-N	20	M 6	13.5	20	8.5	25	8	46	-	70	12	61
GN 6337.3-20-M8-N	20	M 8	13.5	20	8.5	25	8	46	-	70	12	58
GN 6337.3-25-M8-N	25	M 8	16	25	11	29	8	58	-	87	15	114
GN 6337.3-25-M10-N	25	M 10	16	25	11	29	8	58	-	87	15	111
GN 6337.3-28-M10-N	28	M 10	19	30	13	33.5	10.5	70.5	-	109	18	189
GN 6337.3-28-M12-N	28	M 12	19	30	13	33.5	10.5	70.5	-	109	18	170



**GN 6337.3-with threaded stud**

Description	d1	d2	l1	d3	d4	h1	h2	h3 ≈	l2	l3 ≈	⚖
GN 6337.3-20-M8-20-M	20	M 8	20	13.5	20	25	8	-	74	-	69
GN 6337.3-20-M8-25-M	20	M 8	25	13.5	20	25	8	-	74	-	70
GN 6337.3-20-M8-32-M	20	M 8	32	13.5	20	25	8	-	74	-	73
GN 6337.3-20-M8-40-M	20	M 8	40	13.5	20	25	8	-	74	-	75
GN 6337.3-20-M8-50-M	20	M 8	50	13.5	20	25	8	-	74	-	78
GN 6337.3-20-M8-63-M	20	M 8	63	13.5	20	25	8	-	74	-	82
GN 6337.3-25-M10-20-M	25	M 10	20	16	25	29	8	-	93	-	129
GN 6337.3-25-M10-25-M	25	M 10	25	16	25	29	8	-	93	-	132
GN 6337.3-25-M10-32-M	25	M 10	32	16	25	29	8	-	93	-	136
GN 6337.3-25-M10-40-M	25	M 10	40	16	25	29	8	-	93	-	138
GN 6337.3-25-M10-50-M	25	M 10	50	16	25	29	8	-	93	-	144
GN 6337.3-25-M10-63-M	25	M 10	63	16	25	29	8	-	93	-	151
GN 6337.3-28-M12-25-M	28	M 12	25	19	30	33.5	10.5	-	116	-	217
GN 6337.3-28-M12-32-M	28	M 12	32	19	30	33.5	10.5	-	116	-	222
GN 6337.3-28-M12-40-M	28	M 12	40	19	30	33.5	10.5	-	116	-	228
GN 6337.3-28-M12-50-M	28	M 12	50	19	30	33.5	10.5	-	116	-	235
GN 6337.3-28-M12-63-M	28	M 12	63	19	30	33.5	10.5	-	116	-	243
GN 6337.3-28-M12-80-M	28	M 12	80	19	30	33.5	10.5	-	116	-	255
GN 6337.3-20-M8-20-N	20	M 8	20	13.5	20	25	8	46	-	70	69
GN 6337.3-20-M8-25-N	20	M 8	25	13.5	20	25	8	46	-	70	70
GN 6337.3-20-M8-32-N	20	M 8	32	13.5	20	25	8	46	-	70	73
GN 6337.3-20-M8-40-N	20	M 8	40	13.5	20	25	8	46	-	70	75
GN 6337.3-20-M8-50-N	20	M 8	50	13.5	20	25	8	46	-	70	78
GN 6337.3-20-M8-63-N	20	M 8	63	13.5	20	25	8	46	-	70	82
GN 6337.3-25-M10-20-N	25	M 10	20	16	25	29	8	58	-	87	129
GN 6337.3-25-M10-25-N	25	M 10	25	16	25	29	8	58	-	87	132
GN 6337.3-25-M10-32-N	25	M 10	32	16	25	29	8	58	-	87	136
GN 6337.3-25-M10-40-N	25	M 10	40	16	25	29	8	58	-	87	138
GN 6337.3-25-M10-50-N	25	M 10	50	16	25	29	8	58	-	87	144
GN 6337.3-25-M10-63-N	25	M 10	63	16	25	29	8	58	-	87	151
GN 6337.3-28-M12-25-N	28	M 12	25	19	30	33.5	10.5	70.5	-	109	217
GN 6337.3-28-M12-32-N	28	M 12	32	19	30	33.5	10.5	70.5	-	109	222
GN 6337.3-28-M12-40-N	28	M 12	40	19	30	33.5	10.5	70.5	-	109	228
GN 6337.3-28-M12-50-N	28	M 12	50	19	30	33.5	10.5	70.5	-	109	235
GN 6337.3-28-M12-63-N	28	M 12	63	19	30	33.5	10.5	70.5	-	109	243
GN 6337.3-28-M12-80-N	28	M 12	80	19	30	33.5	10.5	70.5	-	109	255



3  
Clamping levers